
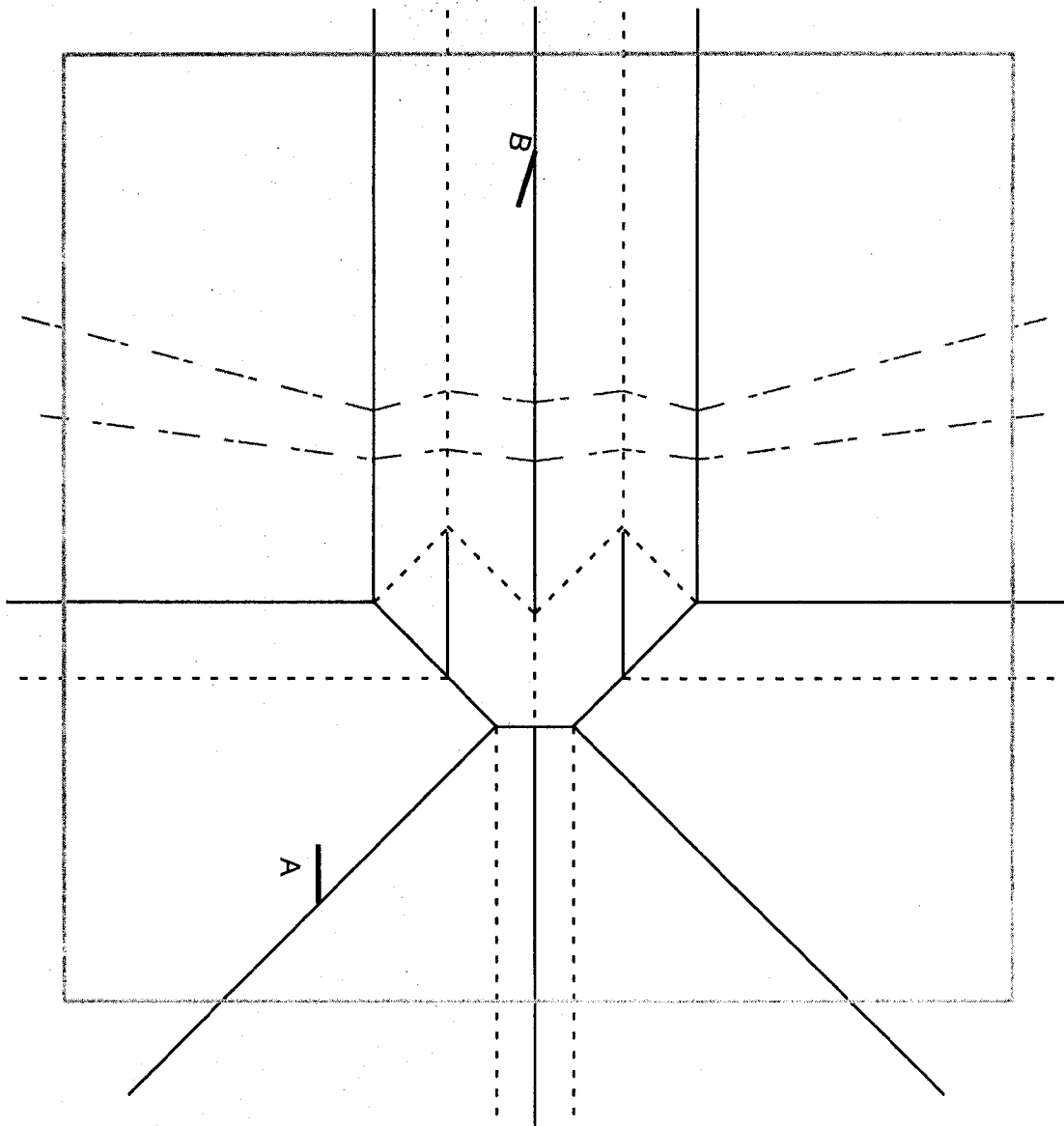


Instructions:

1. Cut out gray square.
2. Crease along the lines shown.
 - solid lines are mountain folds. ————
 - dashed lines are valley folds. - - - - -
 - dash-dot lines are folds that go across all layers. — · - · - ·
3. Fold all mountain and valley folds so that the paper is flat, then fold across all layers at the dash-dot lines (it is helpful to have these lines precreased to make these folds easier and more precise).
The top view of these folds: 
4. Cut from A to B.



Designed by Larry L. Howell
2012 (Rev A)